

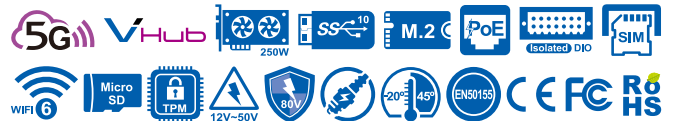
ECX-2600 PEG/2600F PEG

10th Gen Intel® Xeon®/Core™ i9/i7/i5/i3 Processor (Comet Lake) GPU Computing System, 6 GigE LAN with 4 PoE+, 4 Front-access SSD Trays, 2 PCIe x8, 1 PCIe x4, 3 M.2, 32 Isolated DIO, High-Performance



Features

- Workstation-grade Platform : 10-core 10th Gen Intel® Xeon®/Core™ i9/i7/i5/i3 Processor (CML-S) running with Intel® W480E chipset supports max 95W TDP CPU
- 2 DDR4 2933MHz Memory supports up to 64GB, optional with ECC
- 12V to 50V wide range DC Power Input with 80V Surge Protection
- 6 Independent GigE LAN with 4 IEEE 802.3at PoE+
- PCIe x8, PCIe x4 expansion supports up to 250W Power Budget
- Expansion : 2 PCIe x8, 1 PCIe x4, 1 M.2 Key B, 1 M.2 Key E, 2 Mini PCIe
- Storage : 4 2.5" SSD Tray, 1 Micro SD Card, 1 M.2 Key M, 4 SATA III
- Display : VGA, DVI-D & 2 DisplayPort interfaces, up to 4K resolution
- 6-port USB 3.2 support up to 10Gbps data transfer
- Supports Configurable Software Ignition Power Control and TPM 2.0



Specifications

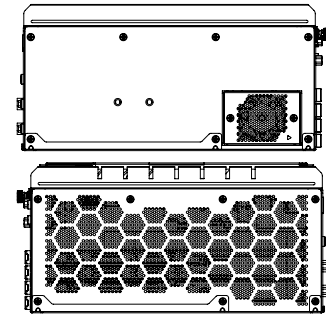
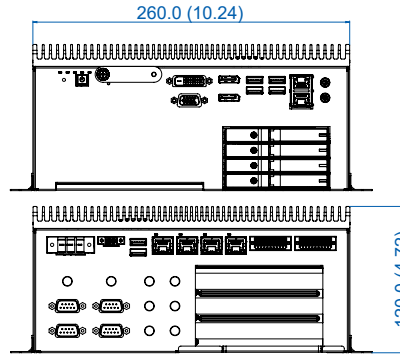
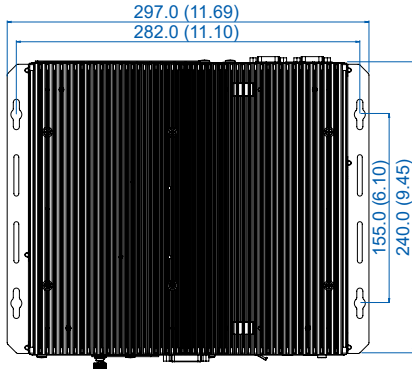
| System | |
|--------------------|---|
| Processor | Intel® 10th Generation Xeon®/Core™ i9/i7/i5/i3 Processor (Comet Lake-S) |
| Chipset | Intel® W480E |
| BIOS | AMI |
| SIO | IT8786E |
| Memory | 2 DDR4 2933MHz Memory, up to 64GB (ECC/Non-ECC) |
| I/O Interface | |
| Serial | 4 COM RS-232/422/485 (ESD 8KV) |
| USB | <ul style="list-style-type: none"> ▪ 6 USB 3.2 (External) ▪ 1 USB 2.0 (Internal) |
| Isolated DIO | 32 Isolated DIO : 16 DI, 16 DO |
| LED | Power, HDD, PoE, Wireless |
| SIM Card | 3 External Nano SIM Card Socket |
| Expansion | |
| Mini PCIe | 2 Mini PCIe Socket for PCIe/USB/SIM Card/Optional mSATA |
| PCIe/PCI | <ul style="list-style-type: none"> ▪ 2 PCIe x16 Slot with PCIe x8 signal ▪ 1 PCIe x8 Slot with PCIe x4 signal |
| M.2 | <ul style="list-style-type: none"> ▪ 1 M.2 Key B Socket (3042/3052) ▪ 1 M.2 Key E Socket (2230) |
| Graphics | |
| Graphics Processor | Intel® UHD Graphics 630 |
| Interface | <ul style="list-style-type: none"> ▪ 1 VGA : Up to 1920 x 1080 @60Hz ▪ 1 DVI-D : Up to 1920 x 1080 @60Hz ▪ 2 DisplayPort : Up to 4096 x 2304 @60Hz ▪ By requested PEG |
| Storage | |
| SATA | 4 SATA III (6Gbps) support S/W RAID 0, 1, 5, 10 |
| mSATA | 2 SATA III (Mini PCIe Type, 6Gbps) |
| M.2 | 1 M.2 Key M Socket (2280, PCIe x2) |
| Storage Device | <ul style="list-style-type: none"> ▪ 1 Micro SD Card, Push-in/Push-out Ejector ▪ 4 Front-access 2.5" SSD/HDD Tray |
| Audio | |
| Audio Codec | Realtek ALC888S-VD, 7.1 Channel HD Audio |
| Audio Interface | 1 Mic-in, 1 Line-out |
| Ethernet | |
| LAN 1 | Intel® I219LM Gigabit LAN supports iAMT 14.0 |
| LAN 2 | Intel® I210 Gigabit LAN |

| PoE | |
|------------------------|---|
| LAN 3 to 6 | Intel® I350 GigE LAN supports IEEE 802.3at (25.5W/48V) PoE+ |
| Power | |
| Power Input | 12V to 50V, DC-in |
| Power Interface | 3-pin Terminal Block : V+, V-, Frame Ground |
| Ignition Control | 16 Mode Software Ignition Control |
| Remote Switch | 3-pin Terminal Block |
| Surge Protection | Up to 80V/1ms Transient Power |
| Others | |
| TPM | Infineon SLB9665 supports TPM 2.0, LPC Interface |
| Watchdog Timer | Reset : 1 to 255 sec./min. per step |
| Smart Management | Wake on LAN, PXE supported |
| HW Monitor | Monitoring temperature, voltages. Auto throttling control when CPU overheats. |
| Software Support | |
| OS | Windows 10, Linux |
| Mechanical | |
| Dimensions (W x L x H) | 260.0mm x 240.0mm x 123.0mm (10.24" x 9.45" x 4.84") |
| Weight | 6.5 kg (14.33lb) |
| Mounting | <ul style="list-style-type: none"> ▪ Wallmount by mounting bracket ▪ DIN Rail Mount (Optional) |
| Environment | |
| Operating Temperature | 35W & 65W TDP CPU : -20°C to 45°C (-4°F to 113°F), with System Fan 80W & 95W TDP CPU : -20°C to 45°C (-4°F to 113°F), with Fan Sink and System Fan |
| Storage Temperature | -40°C to 85°C (-40°F to 185°F) |
| Humidity | 5% to 95% Humidity, non-condensing |
| Relative Humidity | 95% @45°C |
| Shock | <ul style="list-style-type: none"> ▪ EC 60068-2-27 ▪ SSD : 50G @ wallmount, Half-sine, 11ms |
| Vibration | <ul style="list-style-type: none"> ▪ IEC 60068-2-64 ▪ SSD : 5Grms, 5Hz to 500Hz, 3 Axis |
| EMC | CE, FCC, EN 50155, EN 50121-3-2 |

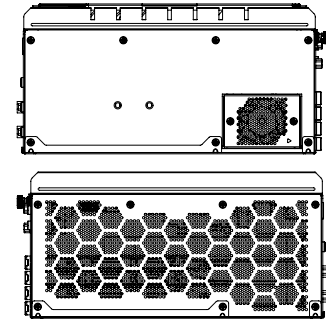
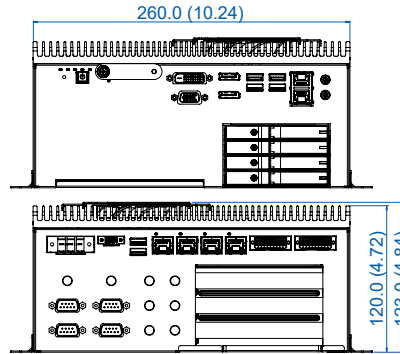
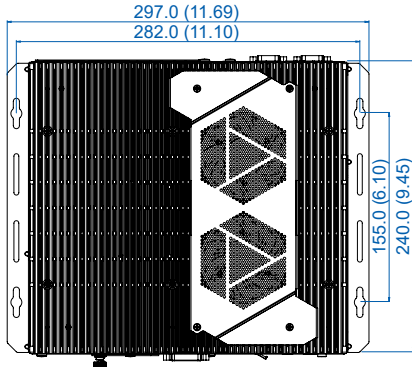
Dimensions

Unit : mm/ inch

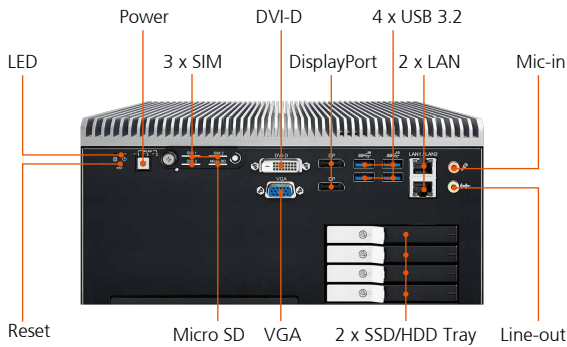
ECX-2600 PEG



ECX-2600F PEG



Front I/O



Rear I/O



Order Information

| | |
|----------------------|---|
| ECX-2600-PEG | ECX-2600, 6 GigE LAN with 4 PoE+, 2 PCIe x8, 1 PCIe x4, 4 SSD Tray, 6 USB 3.2, 4 COM, 3 Nano SIM, 32 Isolated DIO, with System Fan |
| ECX-2600F-PEG | ECX-2600, 6 GigE LAN with 4 PoE+, 2 PCIe x8, 1 PCIe x4, 4 SSD Tray, 6 USB 3.2, 4 COM, 3 Nano SIM, 32 Isolated DIO, with Fan Sink and System Fan |

Accessories

| | |
|-----------------------------|--|
| DDR4 32G | Certified DDR4 32GB 3200MHz RAM |
| DDR4 16G | Certified DDR4 16GB 3200MHz RAM |
| DDR4 8G | Certified DDR4 8GB 3200MHz RAM |
| DDR4 4G | Certified DDR4 4GB 3200MHz RAM |
| PWA-160WB-WT | 160W, 24V, 85V AC to 264V AC Power Adaptor with 3-pin Terminal Block (7.62mm pitch), Wide Temperature -30°C to +70°C |
| PWA-280WB-WT | 280W, 24V, 85V AC to 264V AC Power Adaptor with 3-pin Terminal Block (7.62mm pitch), Wide Temperature -30°C to +70°C |
| PWS-480W-WT | 480W, 24V, 90V AC to 305V AC Power Supply, Wide-Temp, IP65 |
| VESA Mount | VESA Mounting Kit |
| DIN-RAIL | DIN Rail and VESA Mounting Kit |
| TMK2-20P-100 | Terminal Block 20-pin to Terminal Block 20-pin Cable, 100cm |
| TMK2-20P-500 | Terminal Block 20-pin to Terminal Block 20-pin Cable, 500cm |
| TMB-TMBK-20P | Terminal Board with One 20-pin Terminal Block Connector and DIN-Rail Mounting |
| M.2 Storage Module | M.2 Key M/Key B PCIe Storage Module |
| 5G Module | 5G Module with Antenna |
| 4G Module | 4G/GPS Module with Antenna |
| WiFi & Bluetooth | WiFi & Bluetooth Module with Antenna |

Optional Software

| | |
|--------------------------|----------------------|
| VHub AI Developer | AI Development Kit |
| VHub ROS | AMR Development Kit |
| VHub EtherCAT | I/O Control Platform |

CPU List

| Series | CPU | GHz | TDP (W) | ECC RAM |
|--------------|------------|-----|---------|---------|
| Intel® Xeon® | W-1290E | 4.8 | 95 | Yes |
| | W-1290TE | 4.5 | 35 | |
| | W-1270E | 4.8 | 80 | |
| | W-1270TE | 4.4 | 35 | |
| | W-1250E | 4.7 | 80 | |
| | W-1250TE | 3.8 | 35 | |
| Intel® Core™ | i9-10900E | 4.7 | 65 | N/A |
| | i9-10900TE | 4.5 | 35 | |
| | i7-10700E | 4.5 | 65 | |
| | i7-10700TE | 4.4 | 35 | |
| | i5-10500E | 4.2 | 65 | |
| | i5-10500TE | 3.7 | 35 | |
| | i3-10100E | 3.8 | 65 | |
| i3-10100TE | 3.6 | 35 | | |